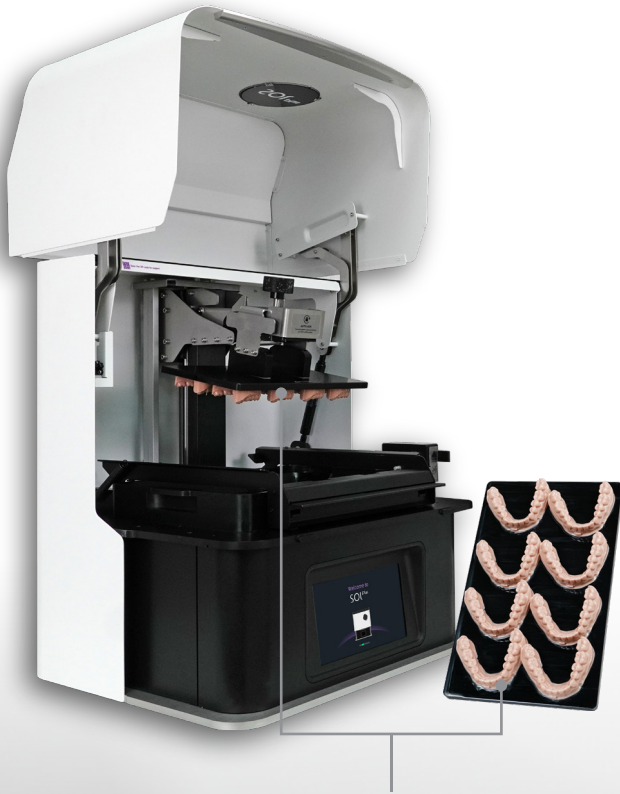


# The Ackuretta **SOL<sup>Plus</sup>** Solution

Designed for High Volume Dental Printing



Up to **28 Full Arches** Nested Vertically  
and **8 Full Arches** Nested Horizontally



## High Production Meets Precision

- Print up to 28 full arches vertically & 8 full arches flat
- 45 µm XY pixel size creates smooth & fine prints
- Variable layer thickness from 30 to 150 µm



## Enhanced Print Performance

- Built-in Thermal Agitator (heating rod) for optimal print results
- Heats from 63°F to 83°F in 5 minutes



## Validated, Versatile Solution for Dentistry

- Validated with industry-leading 3D printing resins for FDA and Canada Health-approved workflows
- Natively integrated with CURIE Plus



## Continued Support & Training

- Concierge Service including remote onboarding, training & support throughout 2-year 3D printer warranty
- 2-year SOL Plus warranty



### Item Numbers

**SOL Plus with Concierge Service** - RS110010241  
**CLEANI with Dual Tanks** - RS110010246

**CURIE Plus with N2 Cover** - RS110010162  
**Tank Plus Accessory** - RS110010248



Scan the QR Code to  
Schedule a Virtual Demo Today!



**Validated Materials Available in North America**



For a complete list of all validated materials for Ackuretta's SOL Plus 3D Printer, scan this QR Code.



**SOL<sup>Plus</sup> Technical Specifications**

**3D Print Technology**  
LCD

**Dimensions**  
17.3 (W) x 14.6 (D) x 19.9 (H) in

**Weight**  
66 lbs

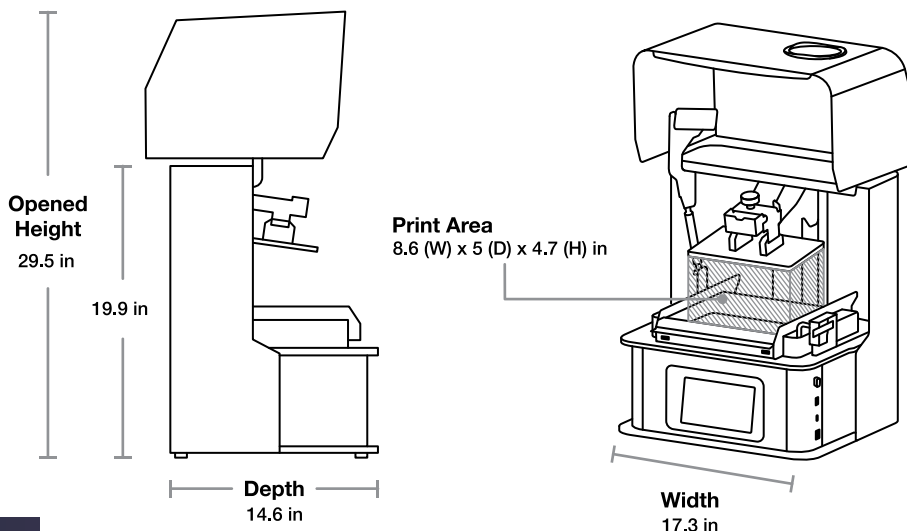
**Print Area**  
8.6 (W) x 5 (D) x 4.7 (H) in

**XY Resolution**  
45 µm

**Layer Thickness**  
30-150 µm

**UV Wavelength**  
385-405 nm

**Power Input**  
100-240VAC, 50-60Hz



**SOL<sup>Plus</sup>**

**PACKAGE CONTENTS**

- 1x SOL Plus 3D Printer
- 1x **XL<sup>Plus</sup>** Build Platform
- 1x Heating Rod / Thermal Agitator
- 1x Ethernet Cable
- 1x Power Cable
- 1x WiFi-Dongle
- 1x Hex Key
- 1x Vat & Vat Storage Box
- 1x Starter Tool Kit
- 1x Concierge Service Box



Scan the QR Code to Schedule a Virtual Demo Today!