

255 | LED Procedure Light



Ritter[®]
by MIDMARK

255 Lighting



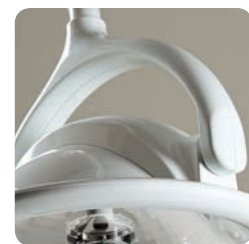
Affordable, improved performance procedure lighting

Whether you practice in an office environment or specialized procedure area, your work requires superior, white, shadow-free illumination that is safe and cool to the touch. The Ritter 255 LED Procedure Light by Midmark is designed to deliver both quality and affordability with features that can help you provide the best care to your patients.



High-quality procedure lighting

Integrated controls on both sides of the light head provide convenient access to make lighting adjustments. You can turn the light on and off and adjust the light brightness from the control touchpad. The sleek contours and sealed light head were designed to make cleaning and care easier. And the handle can be removed for steam sterilization.



Features designed to make your life easier

The Ritter 255 LED Procedure Light is counterbalanced, designed to help you achieve precise positioning using less force – all without drifting or needing frequent adjustments like spring-based systems. And the yoke design is intended to further simplify positioning with its smooth range of motion.



Seeing is believing

We've also designed the 255 light with a large reflector, including 1,040 reflecting facets, which provide an even distribution of light and reduction of shadows for uninterrupted illumination.

Ritter 255 Single Procedure Light



Ritter 255 Mobile Procedure Light



Ritter 255 Combination Procedure Light



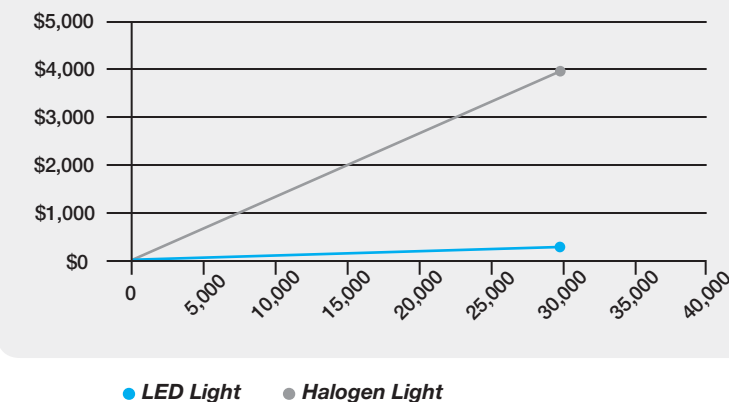
Ritter 255 Wall Mount Procedure Light

Superior lighting by design

The Ritter 255 LED Procedure Light is designed to deliver superior illumination. The combination of the optics enhances one's ability to see color variations in tissue and is intended to aid you in a more accurate diagnosis and treatment. Features include:

- 7,500 footcandles, significantly more light intensity of similar products
- An exceptional color rendering index of greater than 95
- And a color temperature of 4,400 K

The LED difference Lifetime Operating Cost (Including Bulb Replacement Cost)



Lighting

S P E C I F I C A T I O N S

Ritter 255 Procedure Light Specifications

Illumination at 39" (1 m)
 Focal length: 7,500 fc (80,700 lux)
 Pattern diameter: 7.5" (19 cm)
 Depth of field: 29.8" (75.8 cm)
 Color temperature: 4,400 K
 Diameter of lighthead: 20" (50.8 cm)
 LED Light Module: 16 LEDs arranged in a 4x4 array, 32 Watt rating.

Electrical

115 VAC, 50/60 Hz, 0.7 amps
 230 VAC, 50/60 Hz, 0.5 amps

Classified by TUV with respect to electric shock, fire, mechanical and luminaires for diagnosis hazards only in accordance with IEC/ES 60601-1, CAN/CSA C22.2 60601-1, 60601-1-2, 60601-2-41, CE Medical Device Directive 93/42/EEC Annex VII Class 1, and RoHS European Directive 2011/65/EU

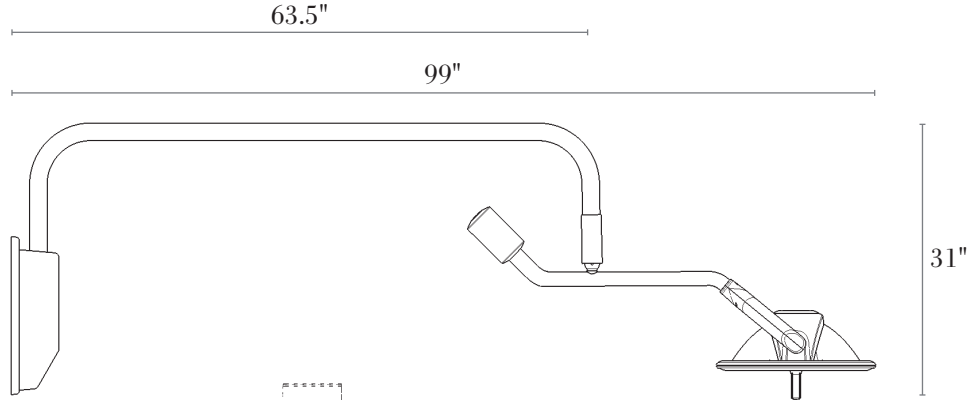
Models

- 255-001 Single mount, 8' (2.4 m) ceiling
- 255-002 Single mount, 9' (2.7 m) ceiling
- 255-003 Dual mount, 8' (2.4 m) ceiling
- 255-004 Dual mount, 9' (2.7 m) ceiling
- 255-005 Mobile Procedure Light
- 255-006 Wall Mount
- 255-007 Mobile Procedure Light w/o cord

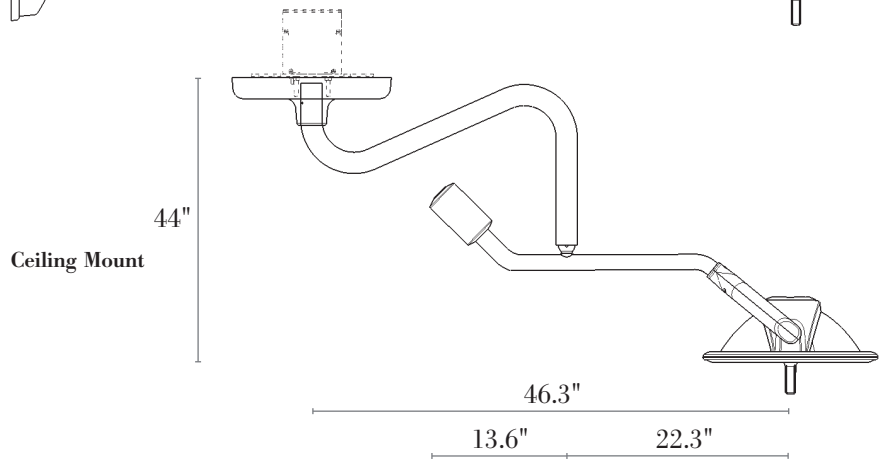
The following systems are recommended based on the following ceiling heights (measured from the bottom of the ceiling surface to the floor):

Less than 8' (2.4 m)	Mobile Light
8' (2.4 m) to 9' (2.7 m)	8' (2.4 m) Single or Dual Light
9' (2.7 m) to 10' (3 m)	9' (2.7 m) Single or Dual Light
Greater than 10' (3 m)	8' (2.4 m) Single or Dual Light with 10' ceiling mount adapter kit(s) or Mobile light

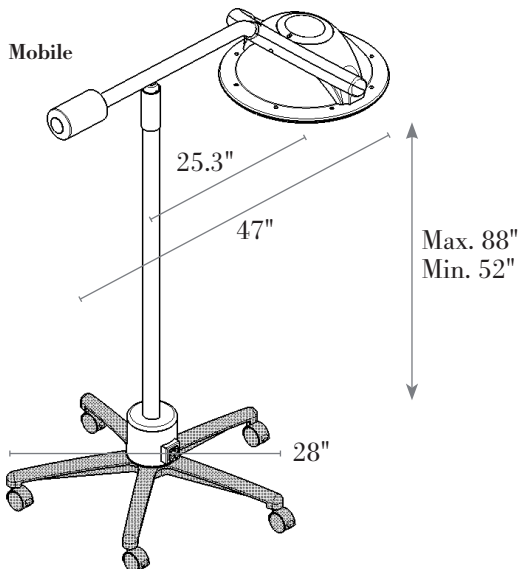
Wall Mount



Ceiling Mount



Mobile



Authorized CE Representative
 Countries in the EEC should direct all questions, incidents, and complaints to Midmark's Authorized CE representative listed below:

Midmark EMEA Ltd
 Beech House, First Floor
 East Wing, Ancells Business Park
 Fleet, Hampshire,
 GU51 2UN, UK
 Call: + 44 (0) 1252 360 940
 Fax: + 44 (0) 1252 360 941

Midmark is an ISO 13485 and ISO 9001 Certified Company.

For more information or a demonstration, contact your Midmark dealer or Midmark Corporation, Versailles, Ohio.
 Call: 1-800-MIDMARK
 Fax: 1-800-365-8631
 midmark.com